

Installation Instructions

Reflective Glass Panel Kit 156817

Kit Contents:

- 1 Rear Panel
- 2 Side Panels
- Cotton gloves

Tools Required:

- 4 mm hex key - *included with the stove*
- small flat head screwdriver or pliers

Optional: *You may wish to apply high-temp paint to the exposed edge of the side panels to match the black glass panels.*

NOTE:

The glass panels are to be used in conjunction with the skamol panels that are already in your stove. **DO NOT INSTALL THE GLASS PANELS WITHOUT THE SKAMOL PANELS.**

To avoid fingerprinting, handle glass panels with the cotton gloves supplied in this kit. Fingerprints are difficult to remove. Use a soft cloth to wipe away any dust.

Installation

- 1. Remove the Glass Frame Assembly** using the 4 mm hex key included with the stove. Remove the bottom two socket head screws first and be sure to support the frame as you remove the two upper screw. See fig. 1.
- 2. On some older stoves, (below Serial No. 2672), it may be necessary** to remove the pilot head to obtain clearance for the panels. It simply lifts off its base, slipping by the retainer clip. See fig. 2.
- 3. Remove the lower panel retainer bracket** from the burner skirt.

Continued on reverse side.

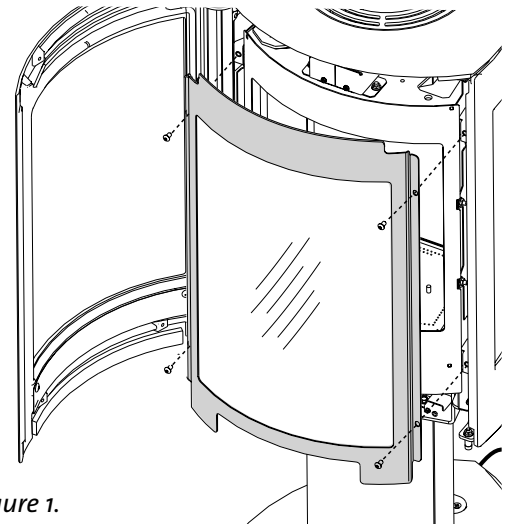


Figure 1.
Remove glass frame.

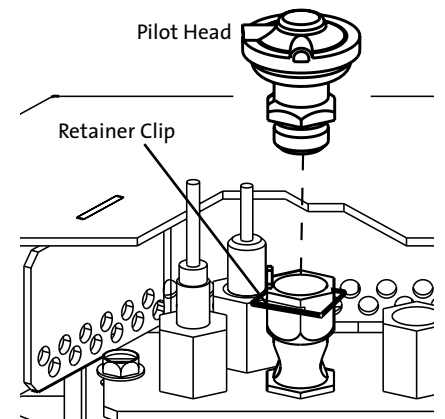


Figure 2.
Remove pilot head to provide clearance.



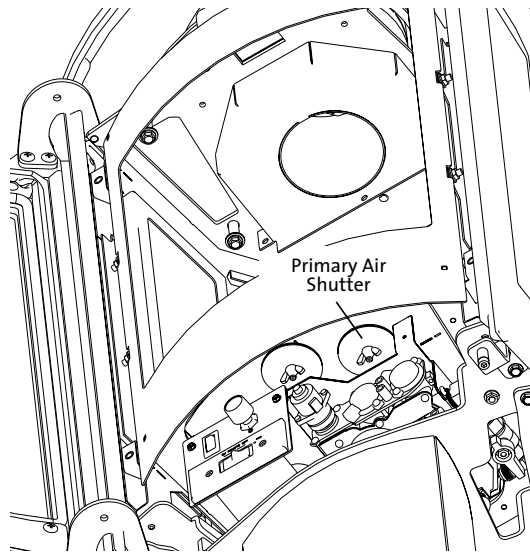


Figure 3. Primary Air Shutter location.

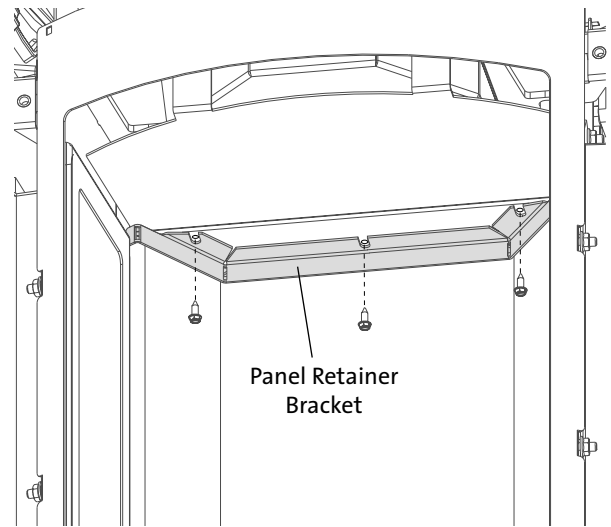


Figure 4. Loosen the panel retainer screws.

4. Loosen, but do not remove the three #8 x 12 sheet metal screws that secure the upper panel retainer. Pull the the retainer forward about 1/4 inch. See fig 4.
5. **Orient the rear panel, smooth side out, textured side in.** Tilt the panel to engage its upper edge behind the retainer bracket. Seat the panel all the way back and centered against the back wall. See fig. 5.
6. Orient the side panels, smooth side out, and sliding each behind the retainer wings. See Fig. 6
7. Push the Upper Retainer back against the glass panels and tighten the three sheet metal screws.
8. Replace the Lower Retainer bracket.
10. Replace the pilot head if appropriate. It will just snap back into place on the base.
11. Replace the log set and embers following the instructions found in the GF 370 DV Installation Manual.

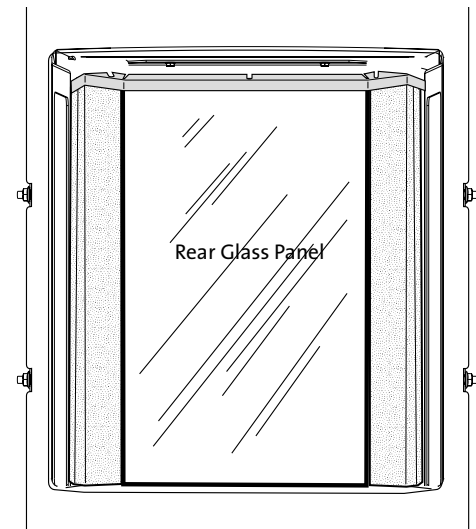


Figure 5. Install Rear Glass Panel.

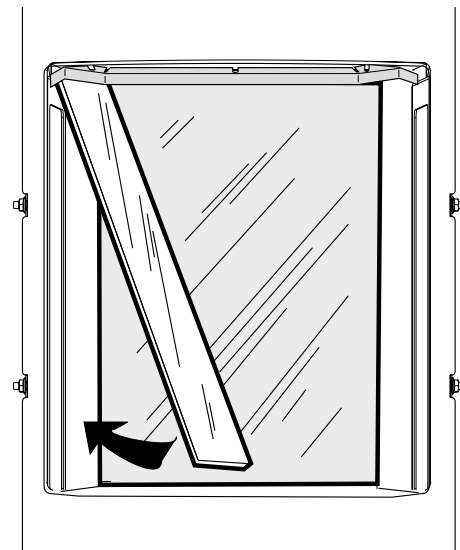


Figure 6. Install Side Glass Panels.