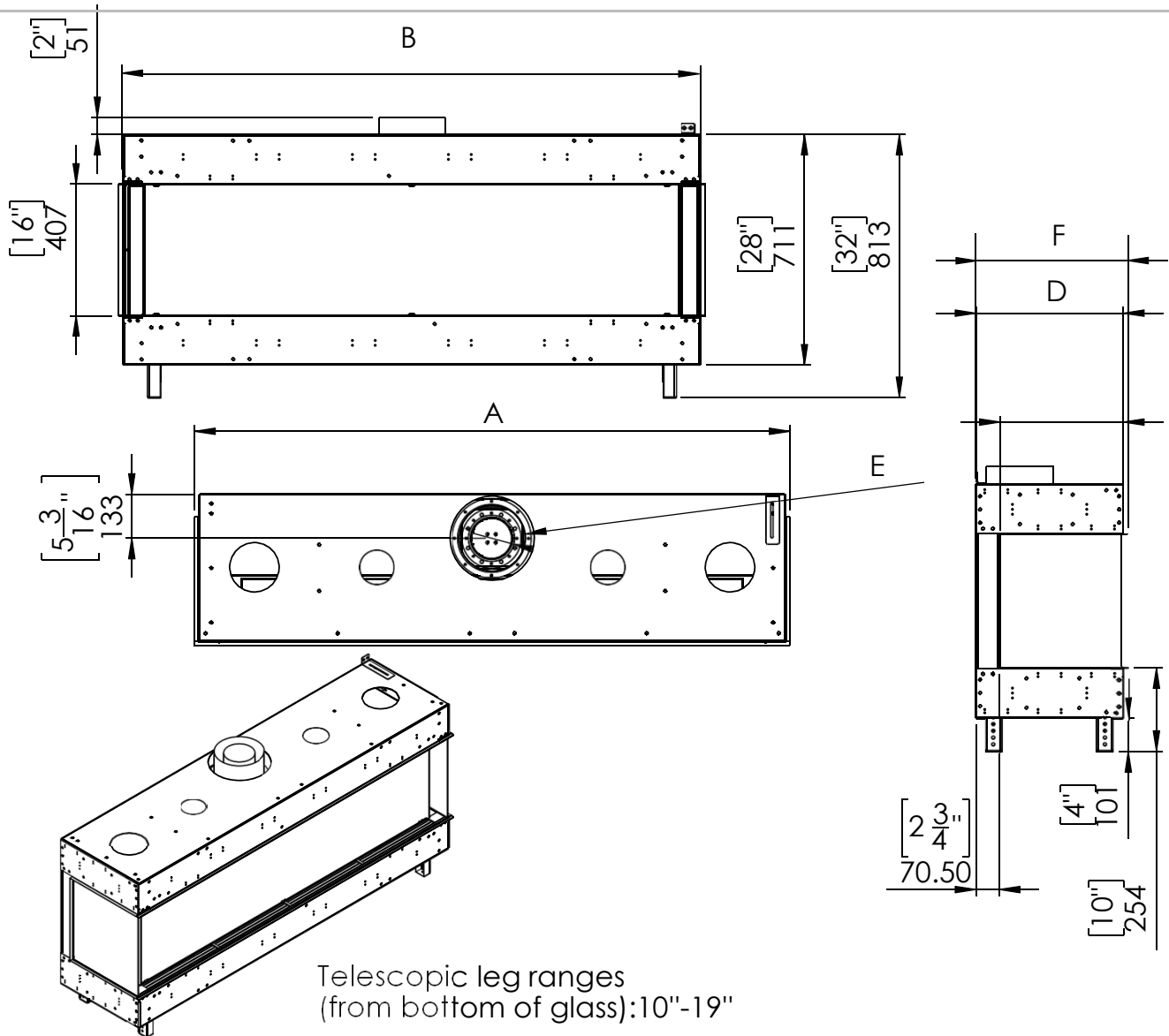
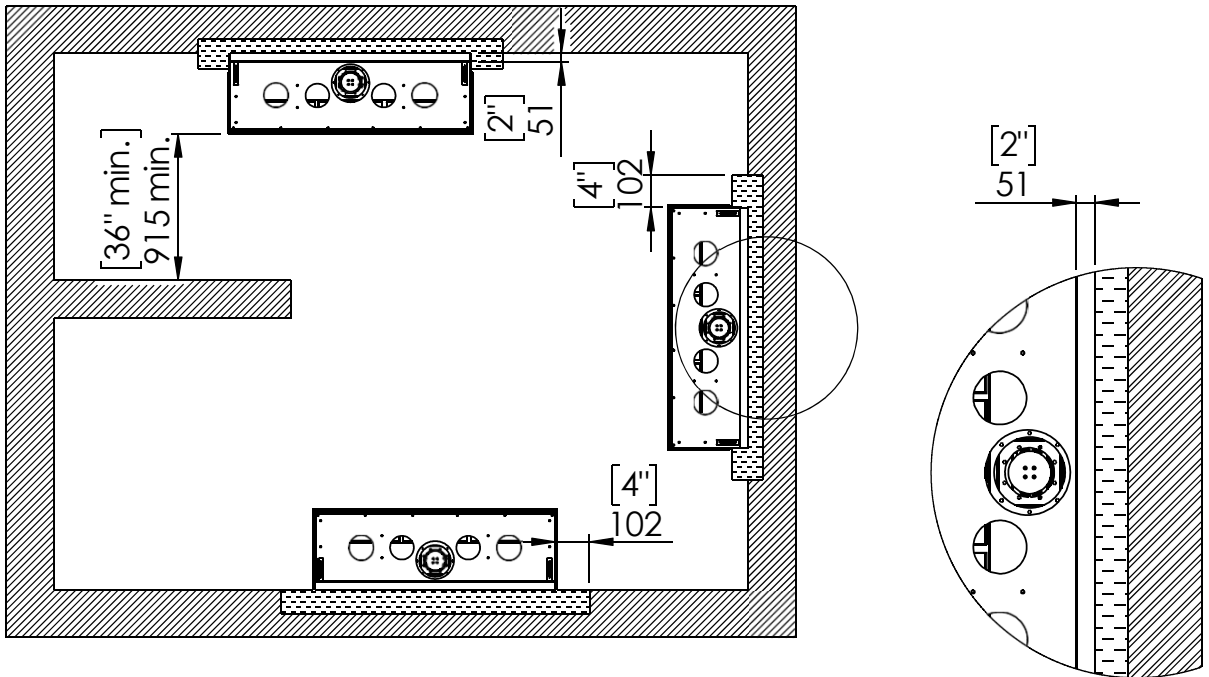


## Fireplace Dimensions



Model	45	50	60	70	80	100
A- Inch	43 9/16	50 4/16	60 2/16	69 15/16	82 9/16	99 8/16
B- Inch	43 7/16	50 2/16	59 15/16	69 13/16	82 6/16	99 5/16
F- Inch	18 1/16	18 1/16	18 1/16	18 1/16	18 1/16	18 1/16
D- Inch	17 9/16	17 9/16	17 9/16	17 9/16	17 9/16	17 9/16
E- Inch	4x6	5x8	5x8	5x8	5x8	5x8

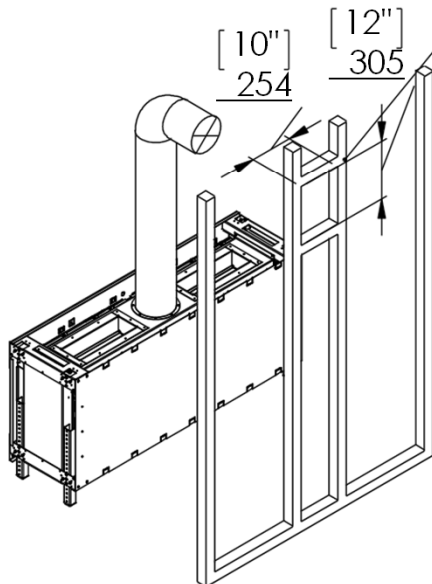


Combustible Materials  
 Non Combustible Materials

## Chimney Installation

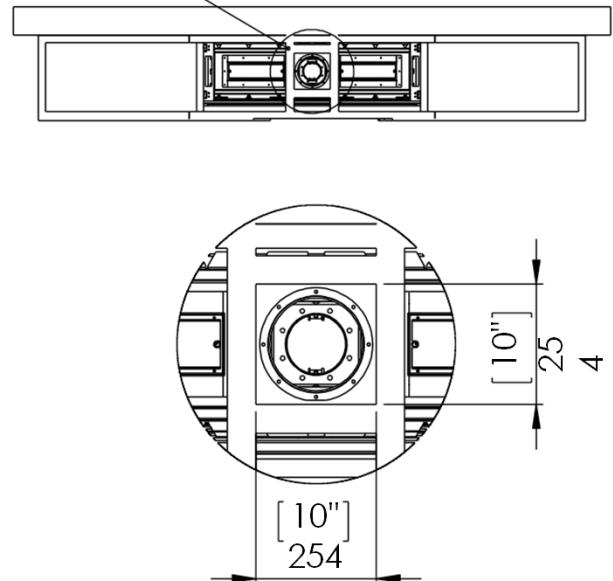
### Horizontal Termination

For 5 x 8 vent size create 10" x 12" vent termination opening

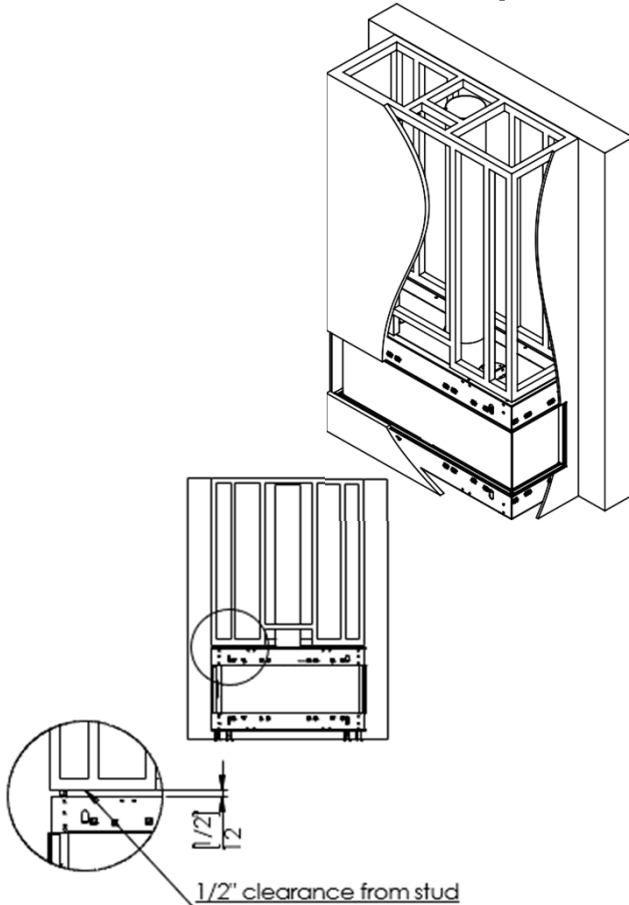


### Vertical Termination

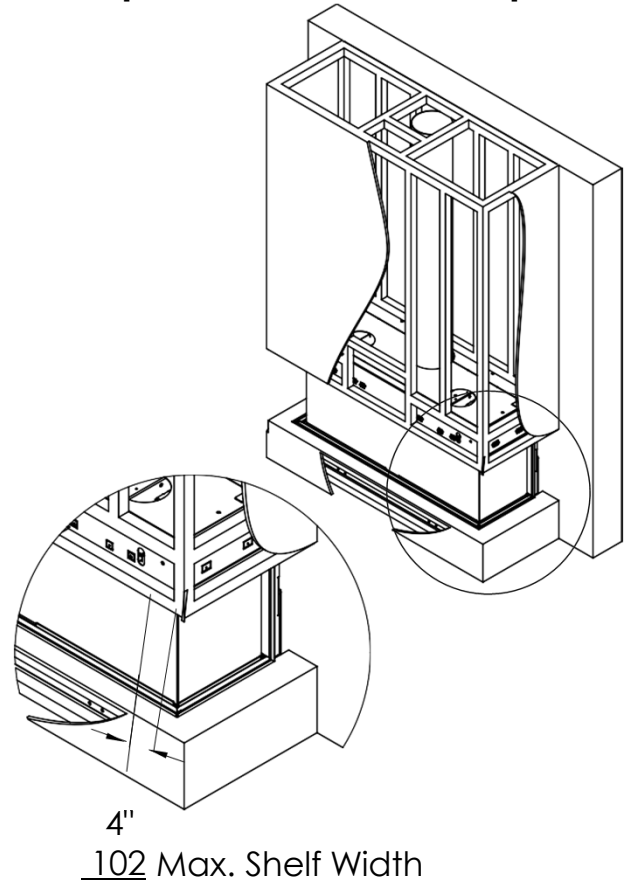
For 5 x 8 vent size create 10" x 10" vent termination opening



## Flat Installation Example



## L Shape Installation Example



## Heat Release and Air Intakes

### The following sizes MUST be maintained for the upper heat release:

For fireplaces sized **80" & 100"** – open vent area must be at least **200 square inches**.

For fireplaces sized **60" & 70"** – open vent area must be at least **140 square inches**.

For fireplace sized **50"** and below – open vent area must be at least **100 square inches**.

### The following sizes MUST be maintained for the lower air intake:

For fireplaces sized **80" & 100"** – open vent area must be at least **100 square inches**.

For fireplaces sized **60" & 70"** – open vent area must be at least **70 square inches**.

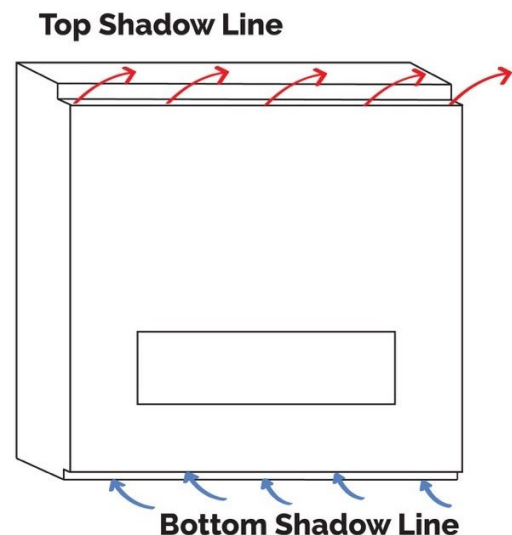
For fireplaces sized **50"** and below – open vent area must be at least **50 square inches**.

For See Through and Room Definer fireplaces, the air intake requirements are **double**.

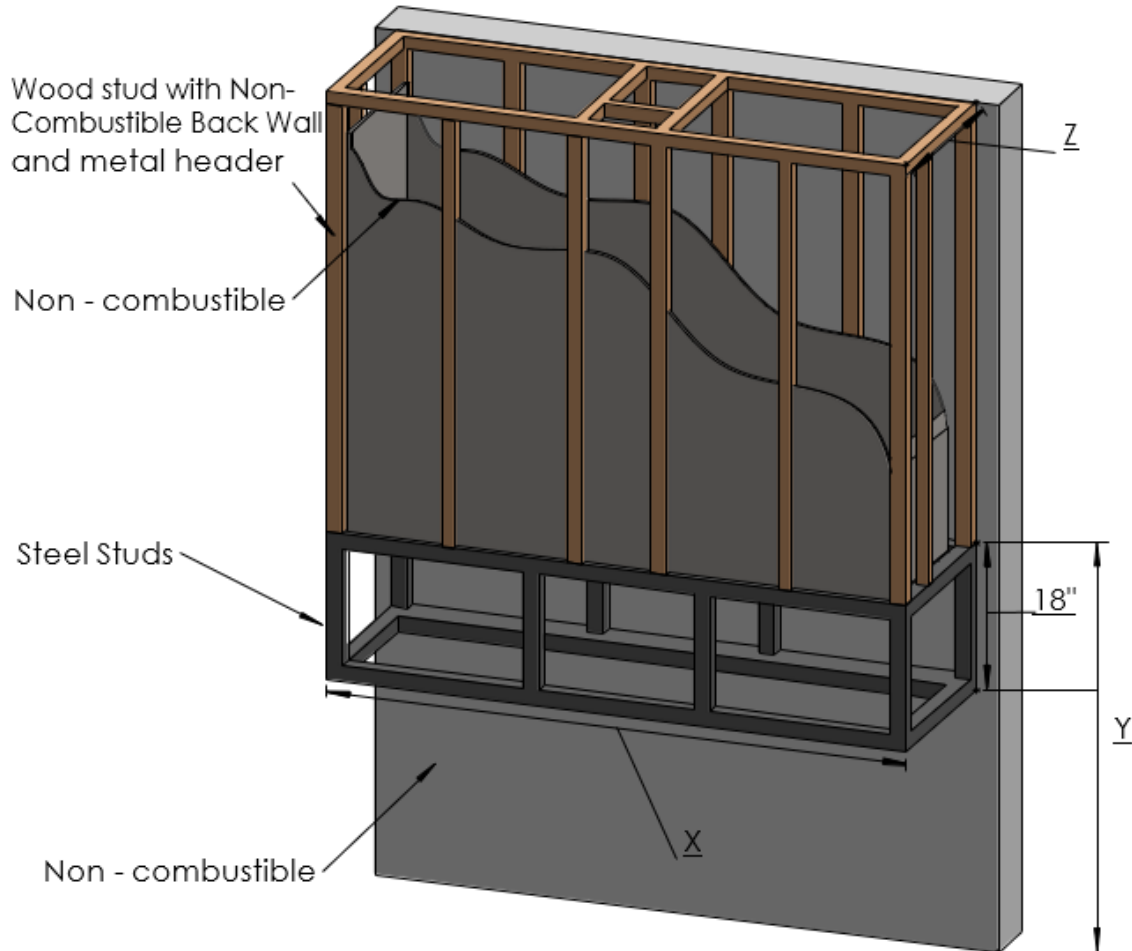
**NOTE: Openings above for Heat Release and Air Intake are measured for open air space. BE SURE TO CALCULATE FOR RESTRICTIONS IN GRATING.**

**NOTE: On all See Through and Room Definer units the air intake must be doubled**

Air Intakes required for Double Glass or Optional Blower kits ONLY.



# Wood Framing Dimensions



**NOTE: Dimension 'Y' uses legs at default lowest height 4" below the unit with glass beginning 10" above the floor. Increase leg height and Y dimension for higher viewing window.**

		X	Y	Z	
				Flat Installation	Recess Installation ( 4" Max)
45	Inch	43 <sup>9</sup> / <sub>16</sub>	50 <sup>8</sup> / <sub>16</sub>	20 <sup>9</sup> / <sub>16</sub>	24 <sup>9</sup> / <sub>16</sub>
	mm	1271	1486	535	637
50	Inch	50 <sup>4</sup> / <sub>16</sub>	50 <sup>8</sup> / <sub>16</sub>	20 <sup>9</sup> / <sub>16</sub>	24 <sup>9</sup> / <sub>16</sub>
	mm	1456	1486	535	637
60	Inch	60 <sup>2</sup> / <sub>16</sub>	50 <sup>8</sup> / <sub>16</sub>	20 <sup>9</sup> / <sub>16</sub>	24 <sup>9</sup> / <sub>16</sub>
	mm	1705	1486	535	637
70	Inch	69 <sup>15</sup> / <sub>16</sub>	50 <sup>8</sup> / <sub>16</sub>	20 <sup>9</sup> / <sub>16</sub>	24 <sup>9</sup> / <sub>16</sub>
	mm	1956	1486	535	637
80	Inch	82 <sup>9</sup> / <sub>16</sub>	50 <sup>8</sup> / <sub>16</sub>	20 <sup>9</sup> / <sub>16</sub>	24 <sup>9</sup> / <sub>16</sub>
	mm	2275	1486	535	637
100	Inch	99 <sup>8</sup> / <sub>16</sub>	50 <sup>8</sup> / <sub>16</sub>	20 <sup>9</sup> / <sub>16</sub>	24 <sup>9</sup> / <sub>16</sub>
	mm	2705	1486	535	637