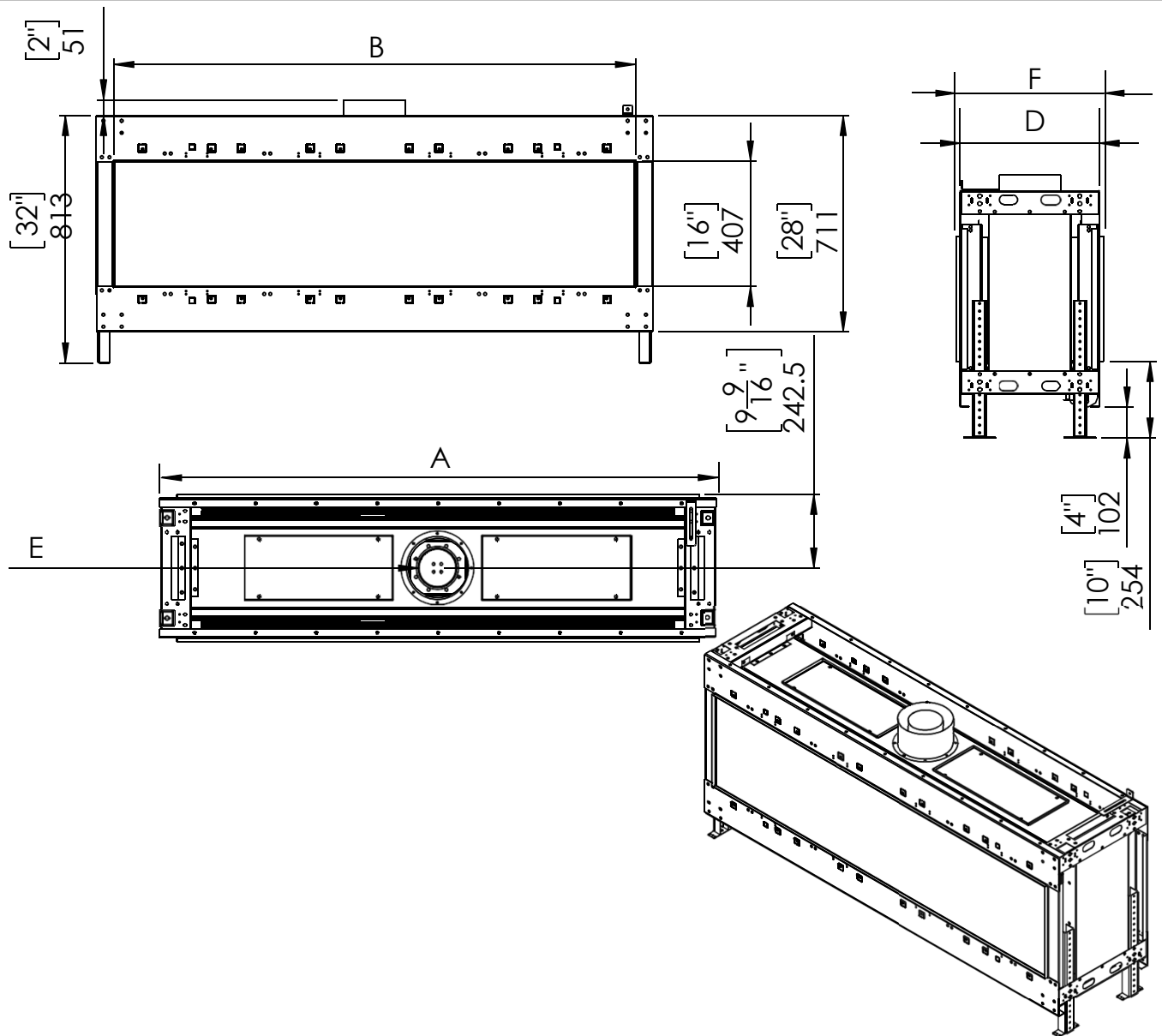
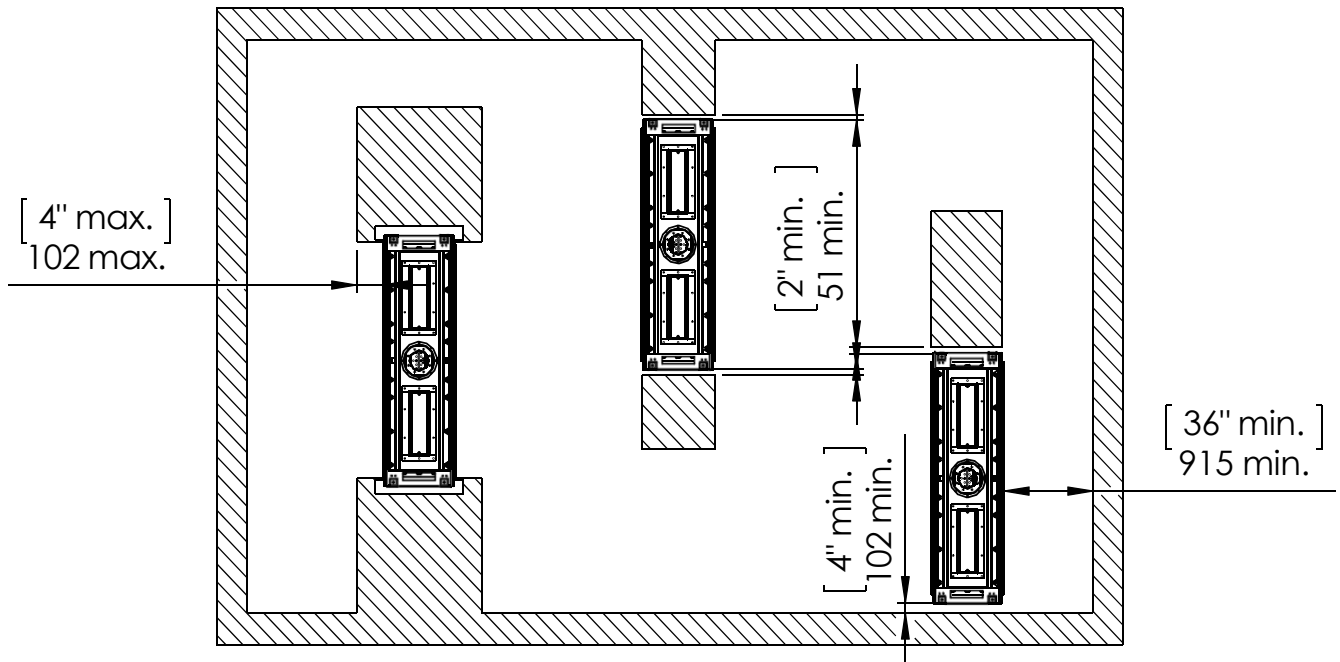


Fireplace Dimensions



Model	45	50	60	70	80	100
A- Inch	45 $\frac{13}{16}$	52 $\frac{8}{16}$	62 $\frac{5}{16}$	72 $\frac{3}{16}$	84 $\frac{12}{16}$	101 $\frac{11}{16}$
B- Inch	41 $\frac{4}{16}$	47 $\frac{15}{16}$	57 $\frac{13}{16}$	67 $\frac{10}{16}$	80 $\frac{4}{16}$	97 $\frac{3}{16}$
F- Inch	19 $\frac{2}{16}$	19 $\frac{2}{16}$	19 $\frac{2}{16}$	19 $\frac{2}{16}$	19 $\frac{2}{16}$	19 $\frac{2}{16}$
D- Inch	18 $\frac{1}{16}$	18 $\frac{1}{16}$	18 $\frac{1}{16}$	18 $\frac{1}{16}$	18 $\frac{1}{16}$	18 $\frac{1}{16}$
E- Inch	4x6	5x8	5x8	5x8	5x8	5x8

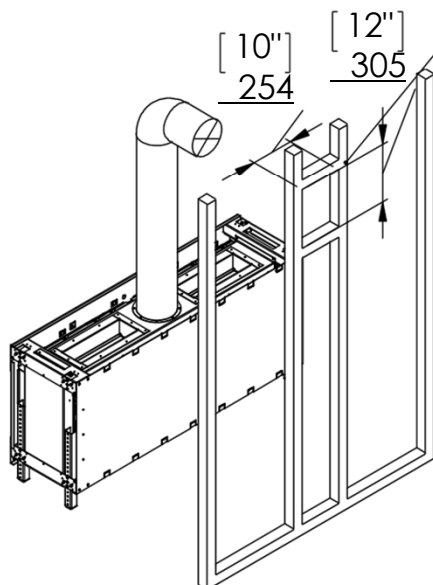
Clearances below are to non-combustible materials.



Chimney Installation

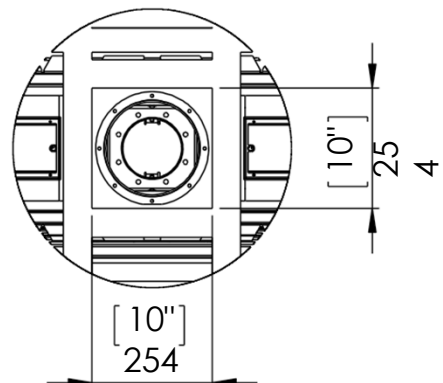
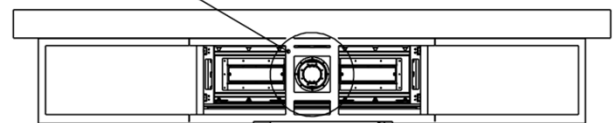
Horizontal Termination

For 5 x 8 vent size create 10" x 12" vent termination opening

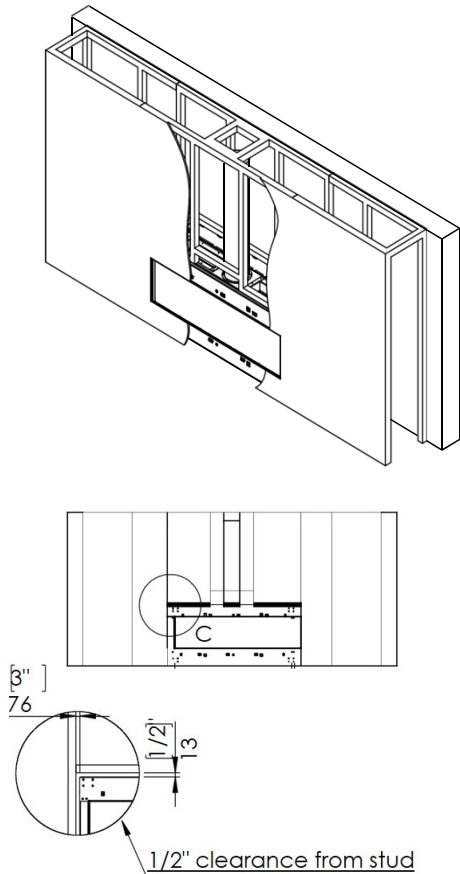


Vertical Termination

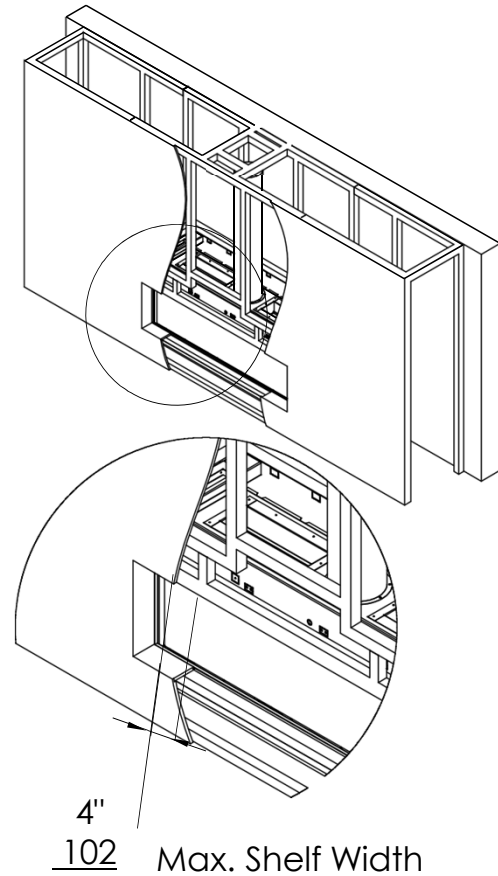
For 5 x 8 vent size create 10" x 10" vent termination opening



Flat Installation Example



L Shape Installation Example



Heat Release and Air Intakes

The following sizes MUST be maintained for the upper heat release:

For fireplaces sized **80" & 100"** – open vent area must be at least **200 square inches**.

For fireplaces sized **60" & 70"** – open vent area must be at least **140 square inches**.

For fireplace sized **50"** and below – open vent area must be at least **100 square inches**.

The following sizes MUST be maintained for the lower air intake:

For fireplaces sized **80" & 100"** – open vent area must be at least **100 square inches**.

For fireplaces sized **60" & 70"** – open vent area must be at least **70 square inches**.

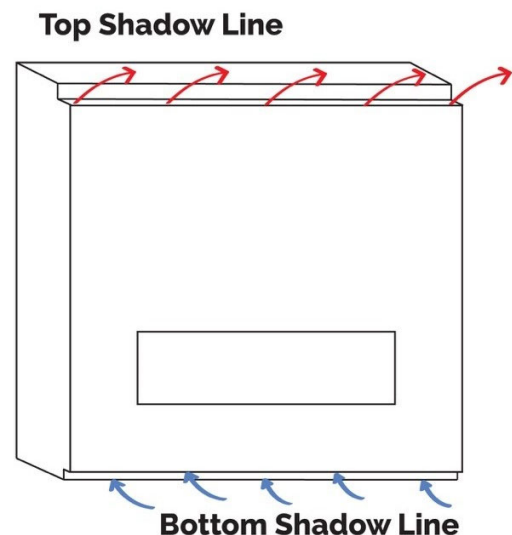
For fireplaces sized **50"** and below – open vent area must be at least **50 square inches**.

For See Through and Room Definer fireplaces, the air intake requirements are **double**.

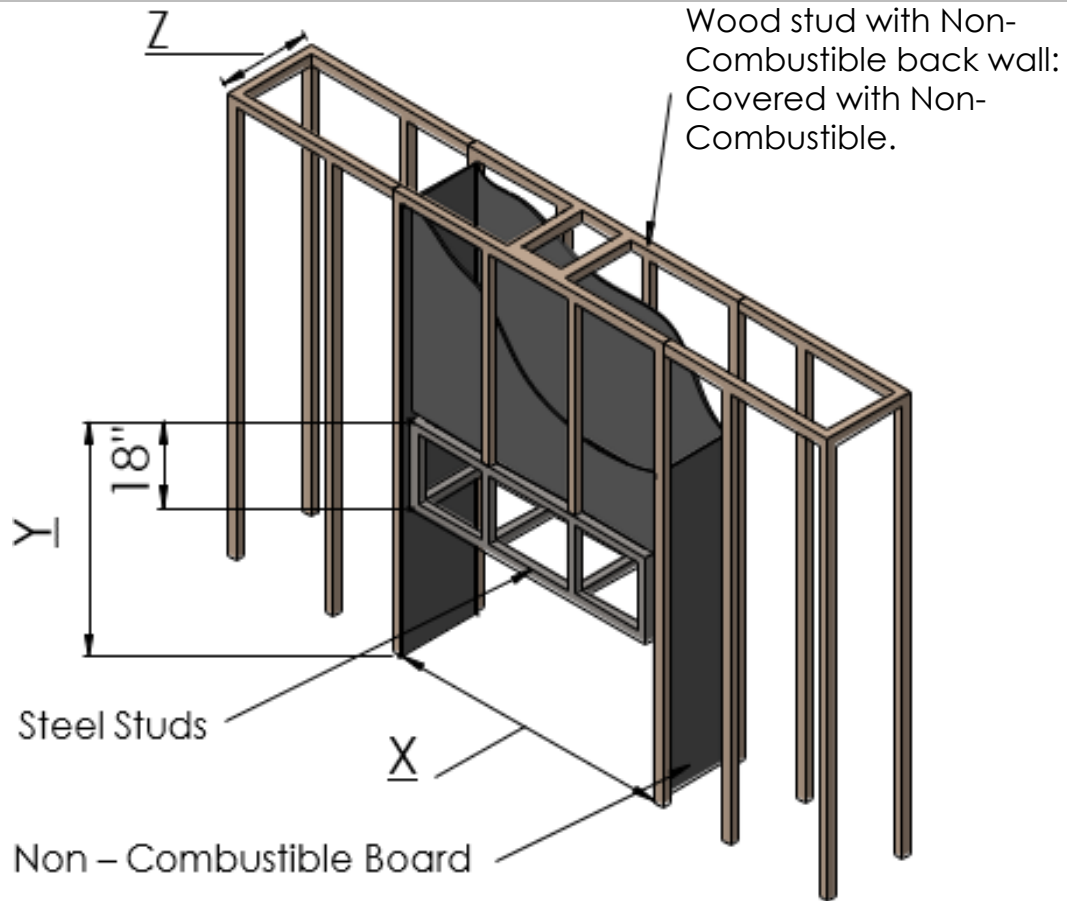
NOTE: Openings above for Heat Release and Air Intake are measured for open air space. BE SURE TO CALCULATE FOR RESTRICTIONS IN GRATING.

NOTE: On all See Through and Room Definer units the air intake must be doubled

Air Intakes required for Double Glass or Optional Blower kits ONLY.



Wood Framing Dimensions



NOTE: Dimension 'Y' uses legs at default lowest height 4" below the unit with glass beginning 10" above the floor. Increase leg height and Y dimension for higher viewing window.

		X	Y	Z	
				Flat Installation	Recess Installation (4" Max)
45	Inch	51 ¹³ / ₁₆	50 ⁸ / ₁₆	18 ¹ / ₁₆	26 ¹ / ₁₆
	mm	1294	1473	459	662
50	Inch	58 ⁸ / ₁₆	50 ⁸ / ₁₆	18 ¹ / ₁₆	26 ¹ / ₁₆
	mm	1481	1473	459	637
60	Inch	68 ⁵ / ₁₆	50 ⁸ / ₁₆	18 ¹ / ₁₆	26 ¹ / ₁₆
	mm	1730	1473	459	637
70	Inch	78 ³ / ₁₆	50 ⁸ / ₁₆	18 ¹ / ₁₆	26 ¹ / ₁₆
	mm	1980	1473	459	637
80	Inch	90 ¹² / ₁₆	50 ⁸ / ₁₆	18 ¹ / ₁₆	26 ¹ / ₁₆
	mm	2300	1473	459	637
100	Inch	107 ¹¹ / ₁₆	50 ⁸ / ₁₆	18 ¹ / ₁₆	26 ¹ / ₁₆
	mm	2731	1473	459	637